

# VA Wall Box INSTALLA ION MANUAL

**Package Contents**

**Kg**

Max. 45kg

**Item list of accessories package**

	<b>E</b>	Usage instruction	1X
	<b>F</b>	M6x12mm screw f. nuts (20pcs for over 12U)	10x
	<b>G</b>	M5x10mm screw	18x
	<b>H</b>	1x Guide piece 1x M4x10mm screw	1x
	<b>J</b>	M5 nut	4x
	<b>K</b>	M5x14mm screw	2x
	<b>L</b>	Key	2x
	<b>M</b>	Label	1x

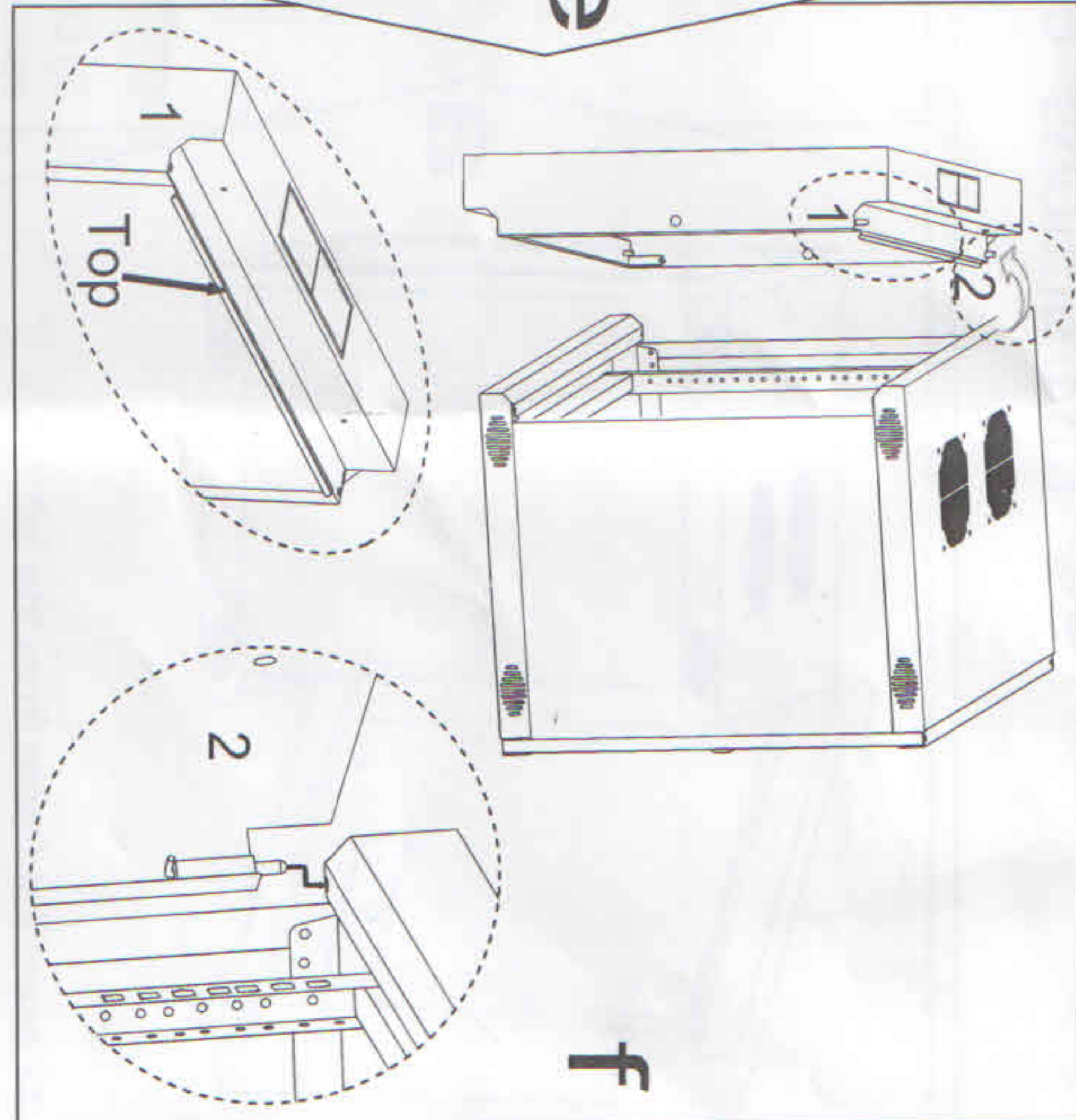
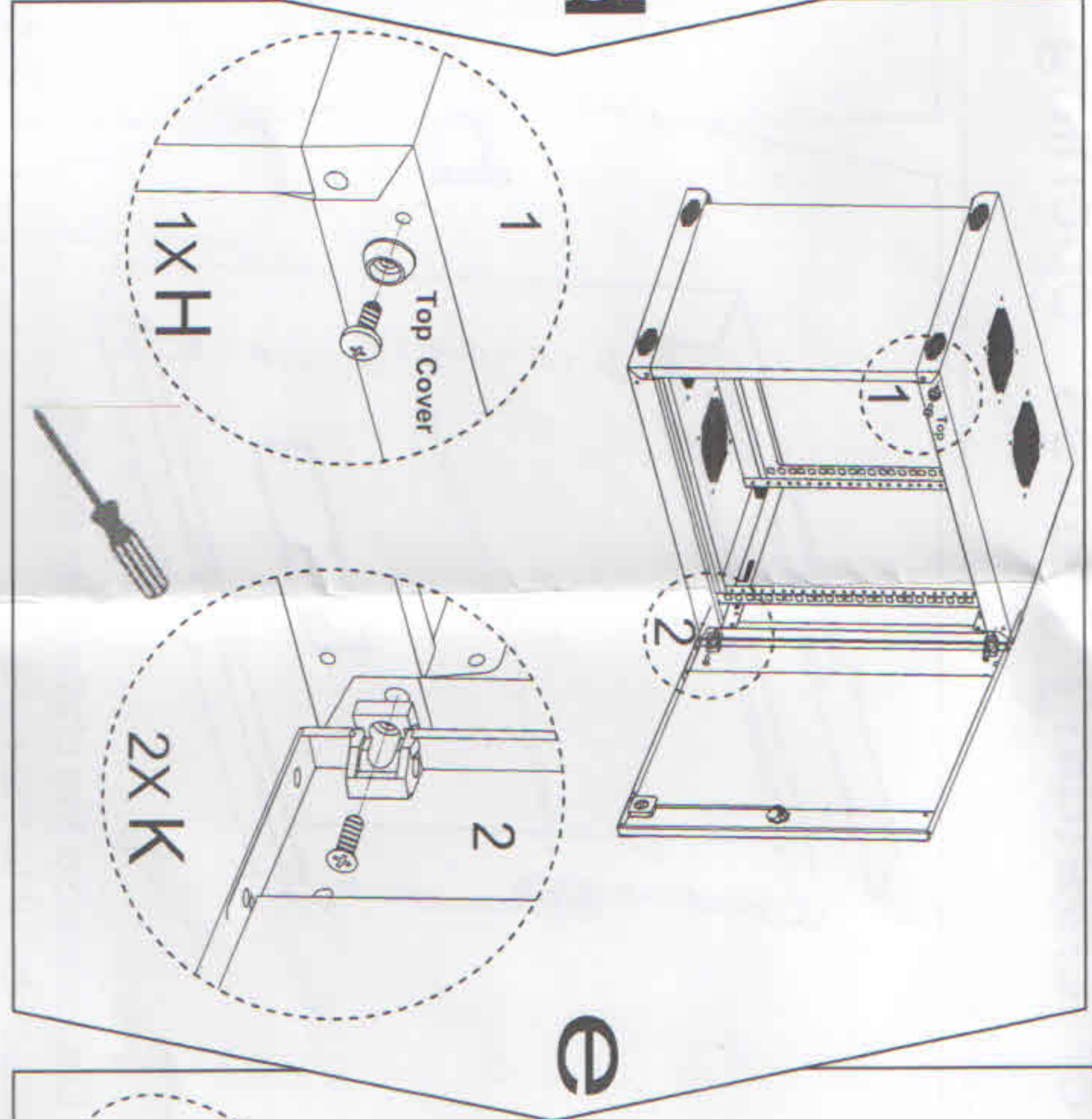
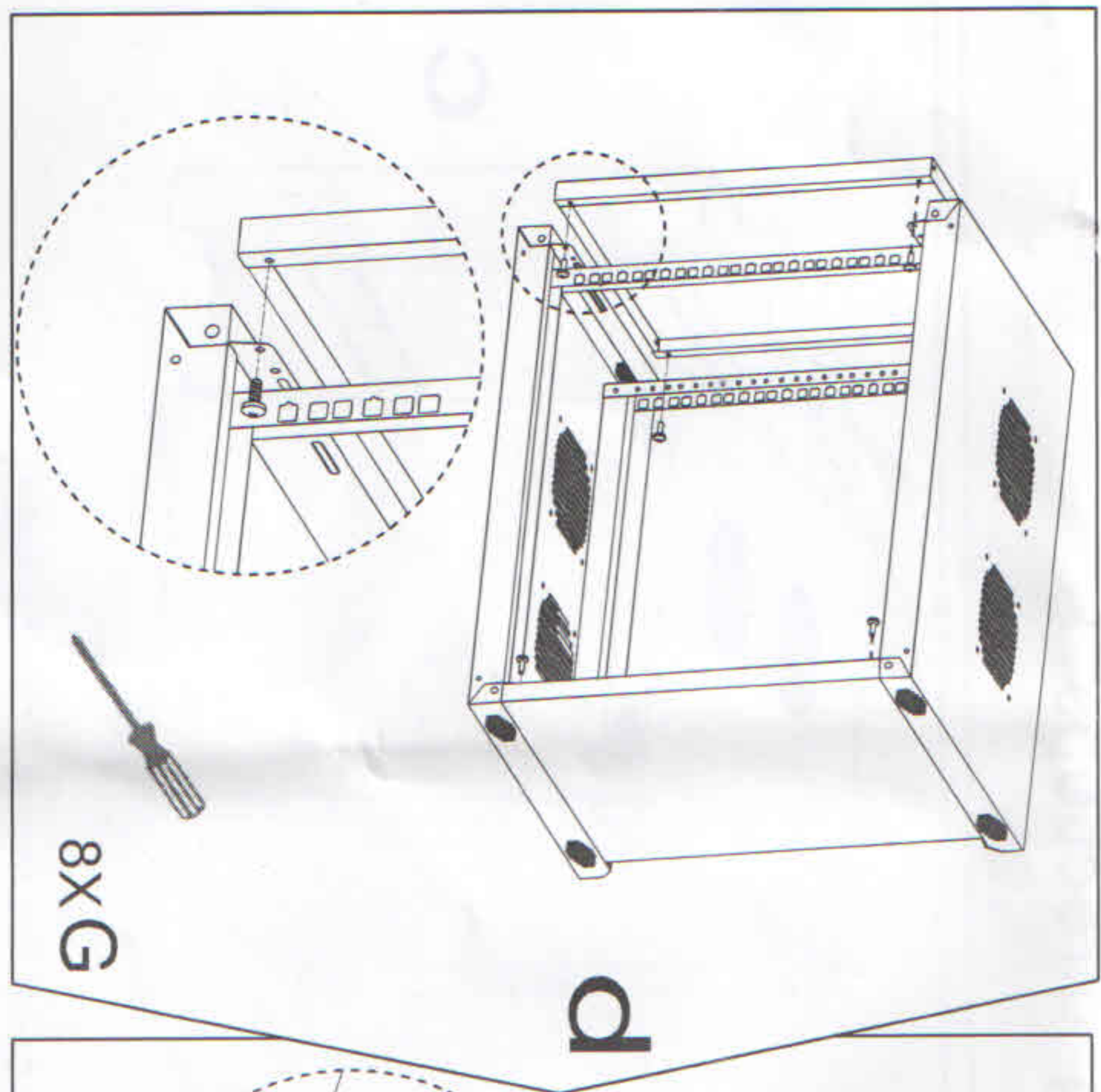
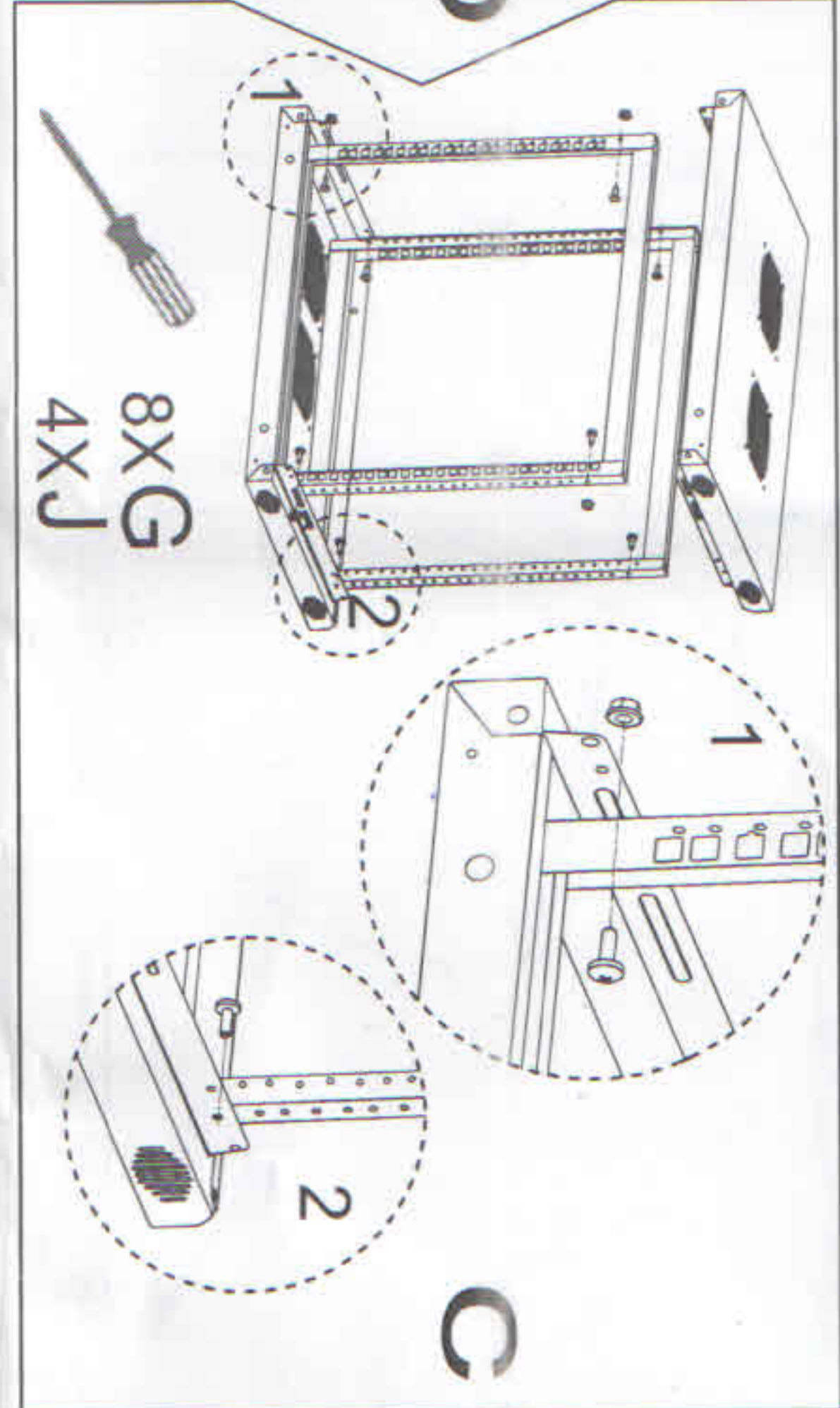
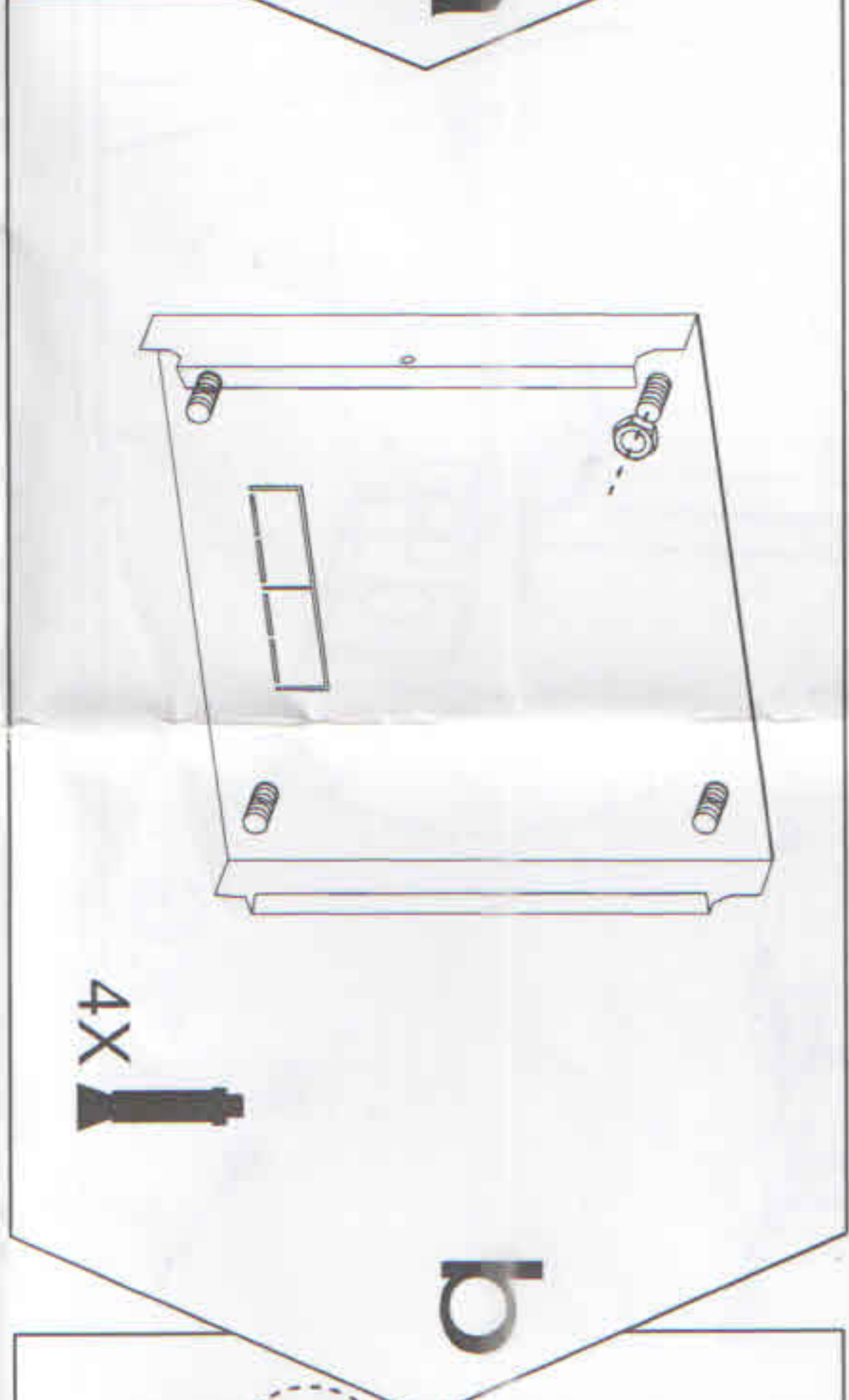
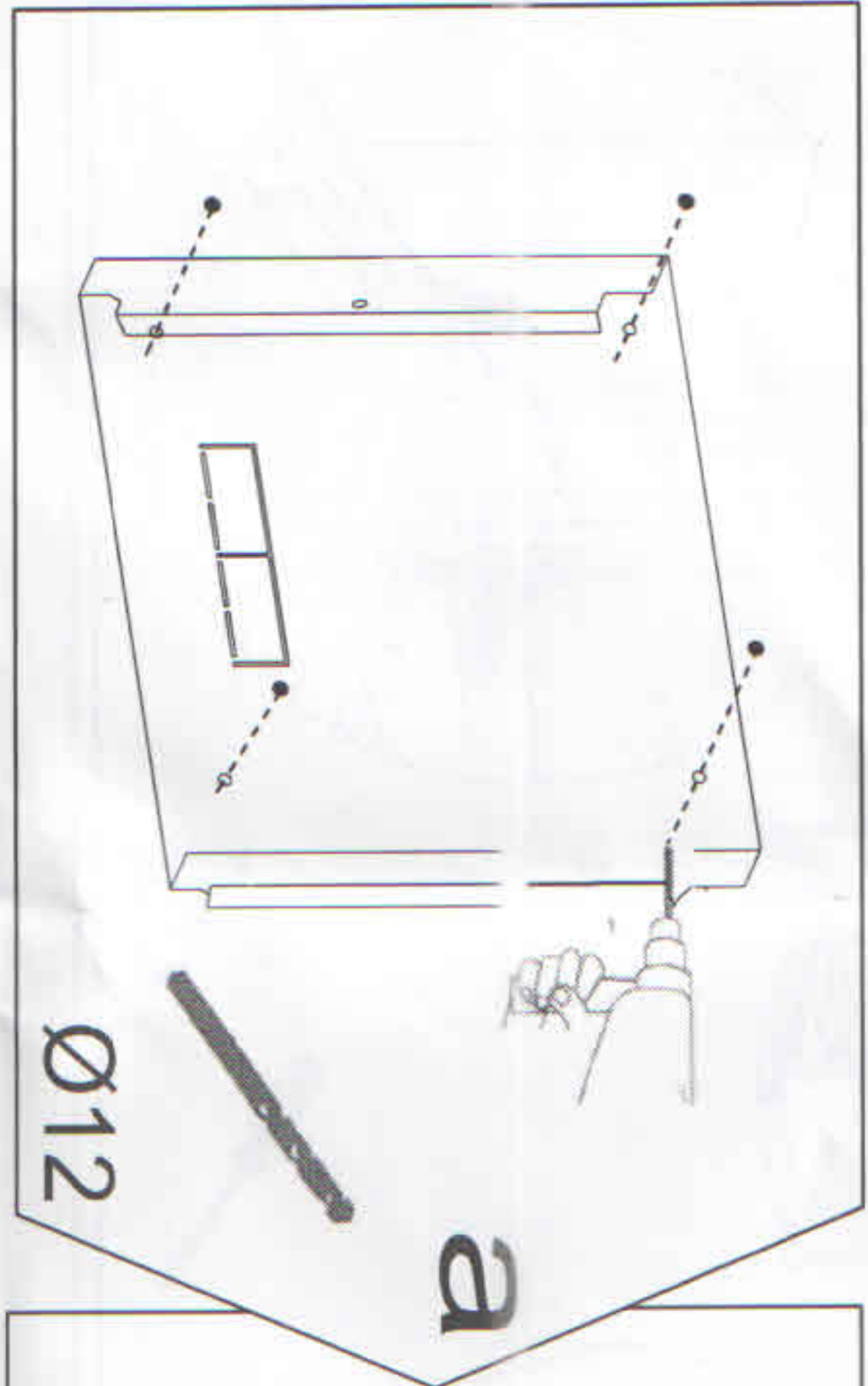
**Required for installation**

drill

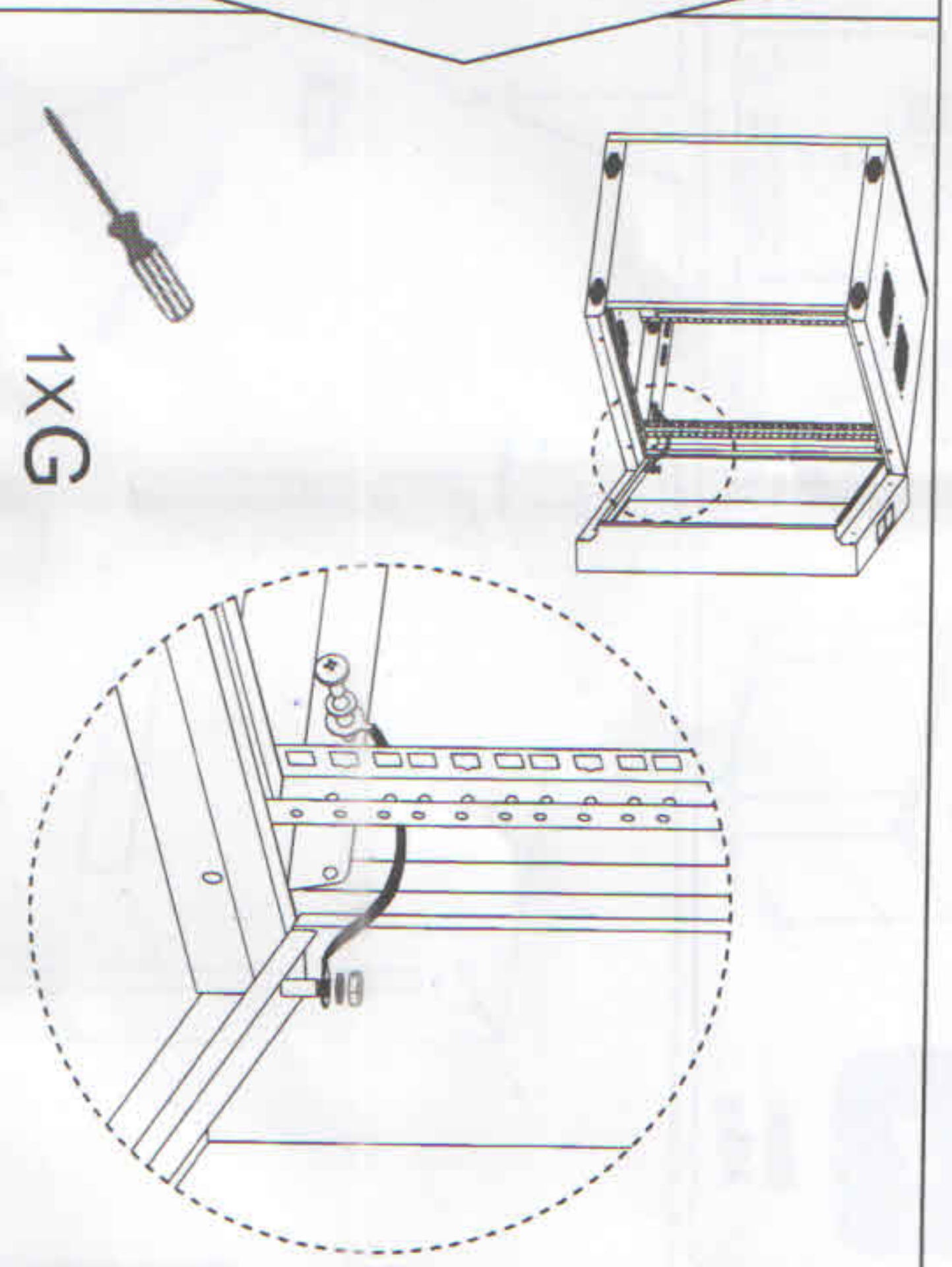
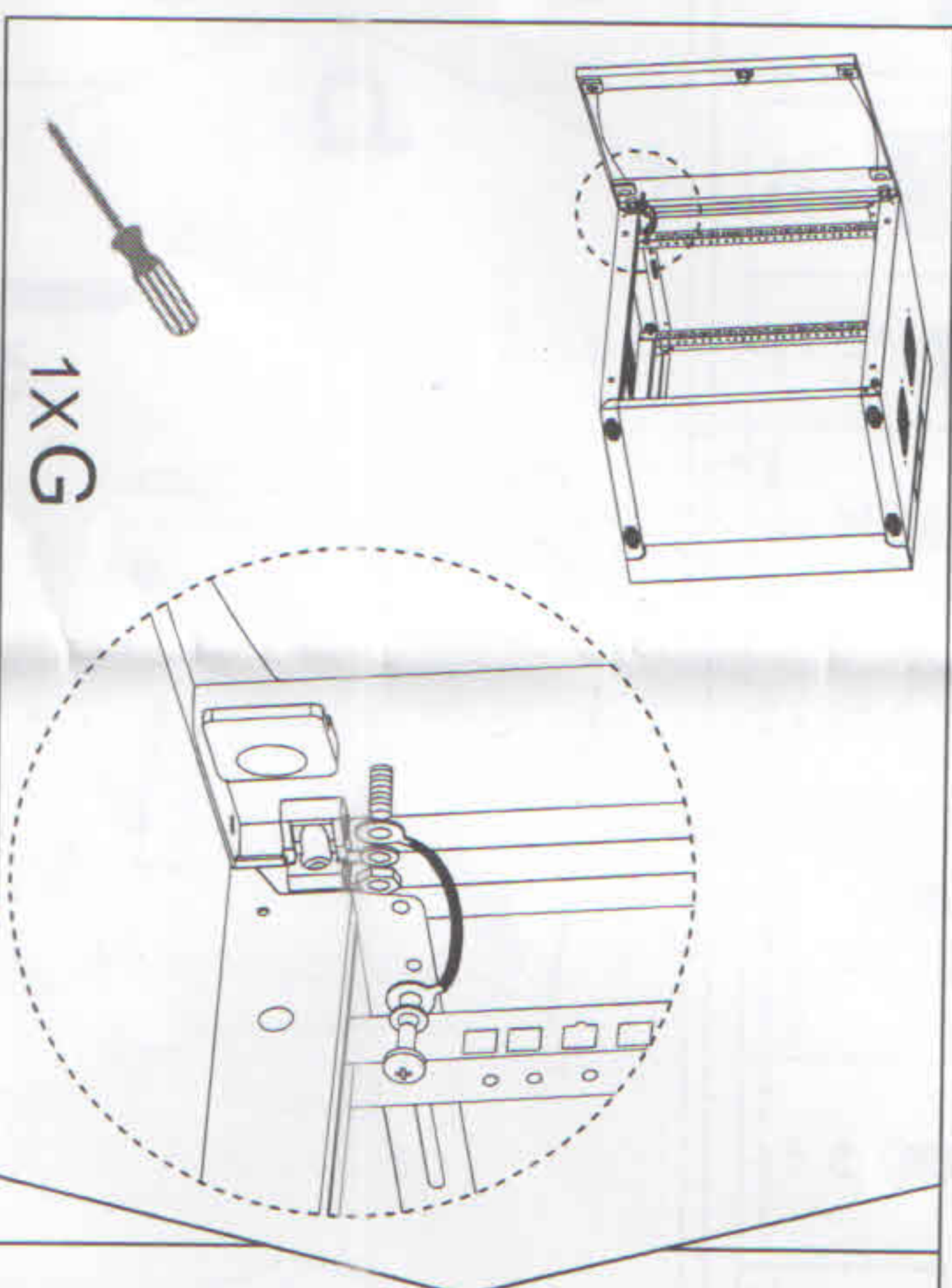
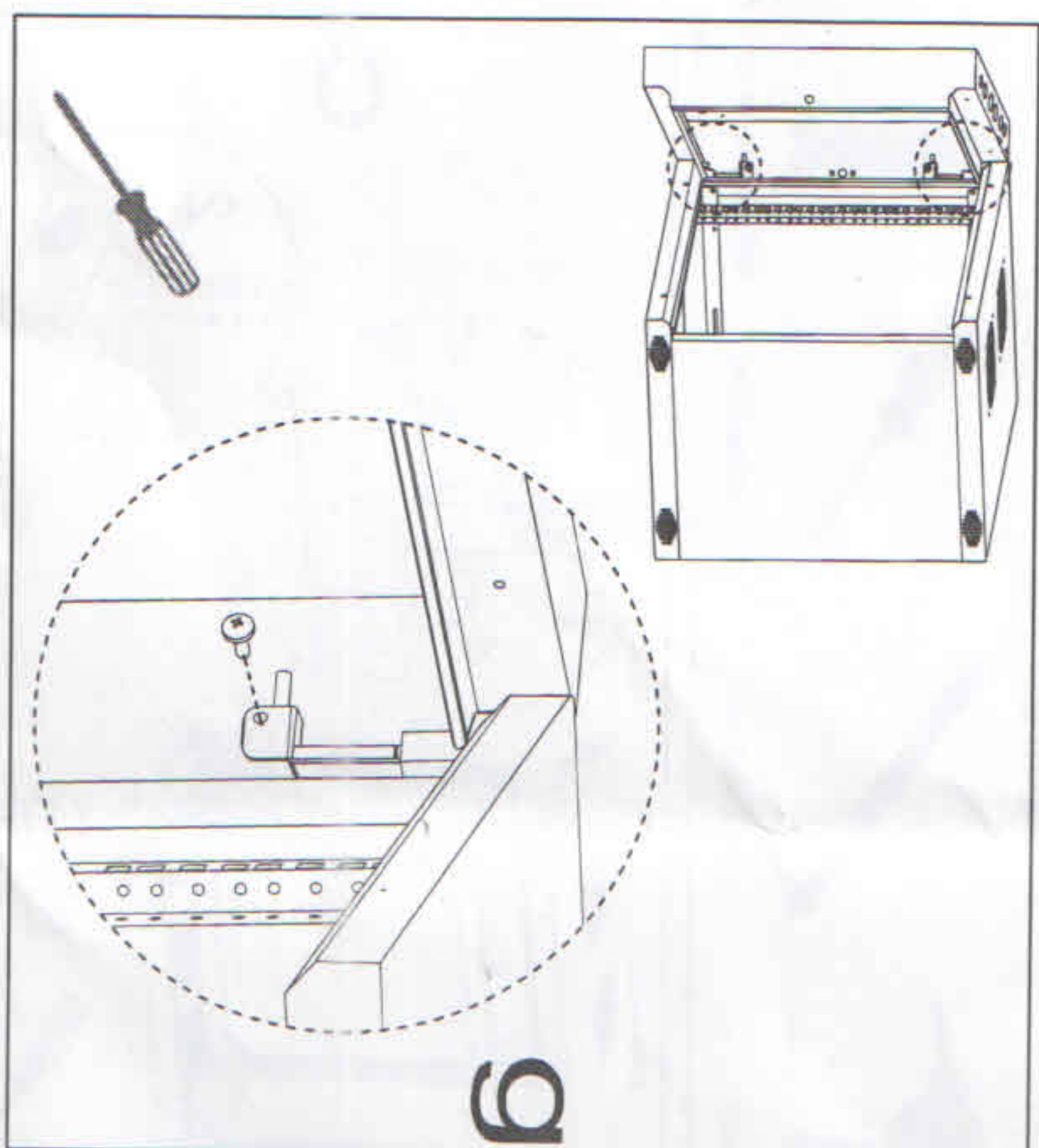
Ø12 drill bit

screwdriver

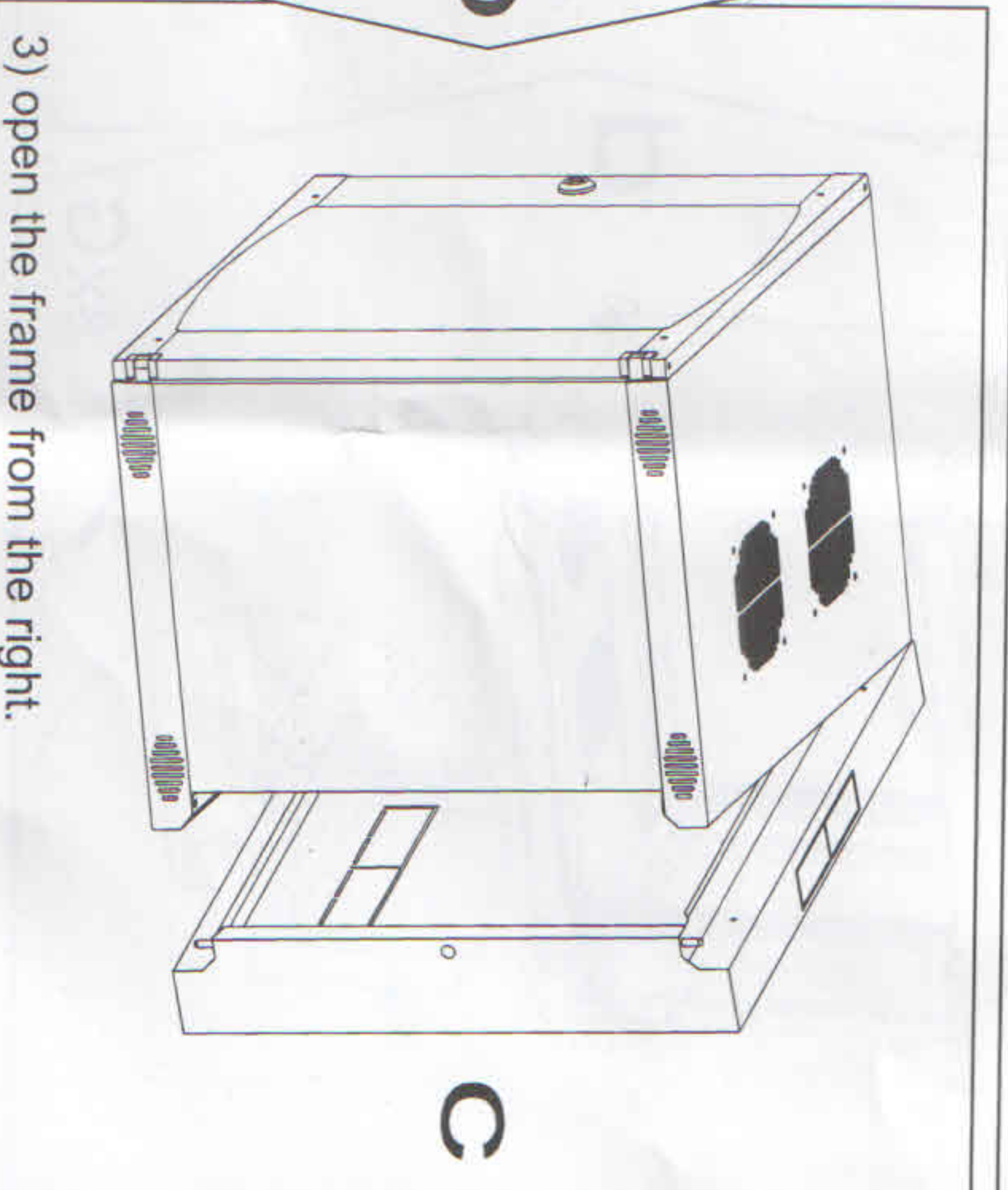
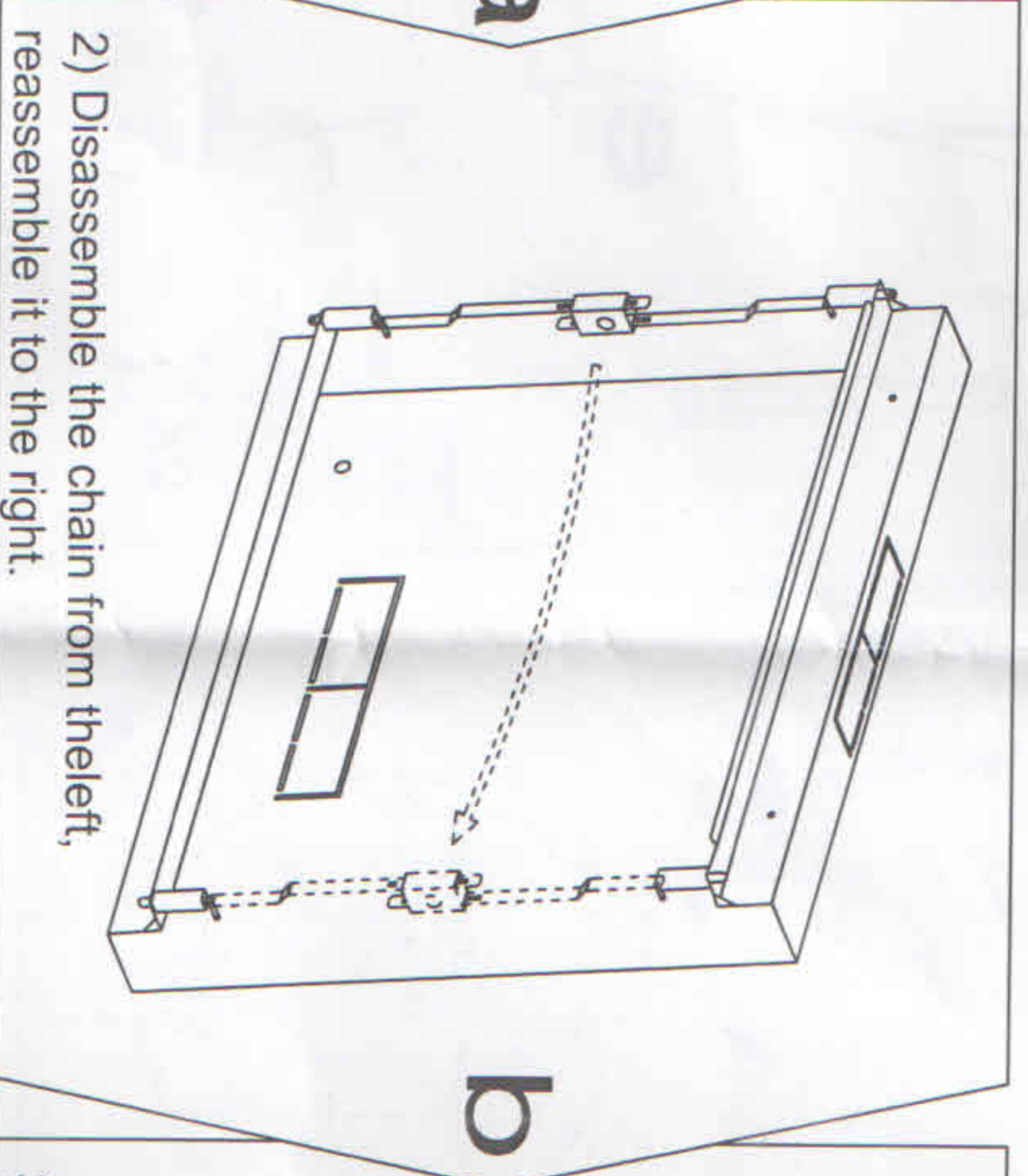
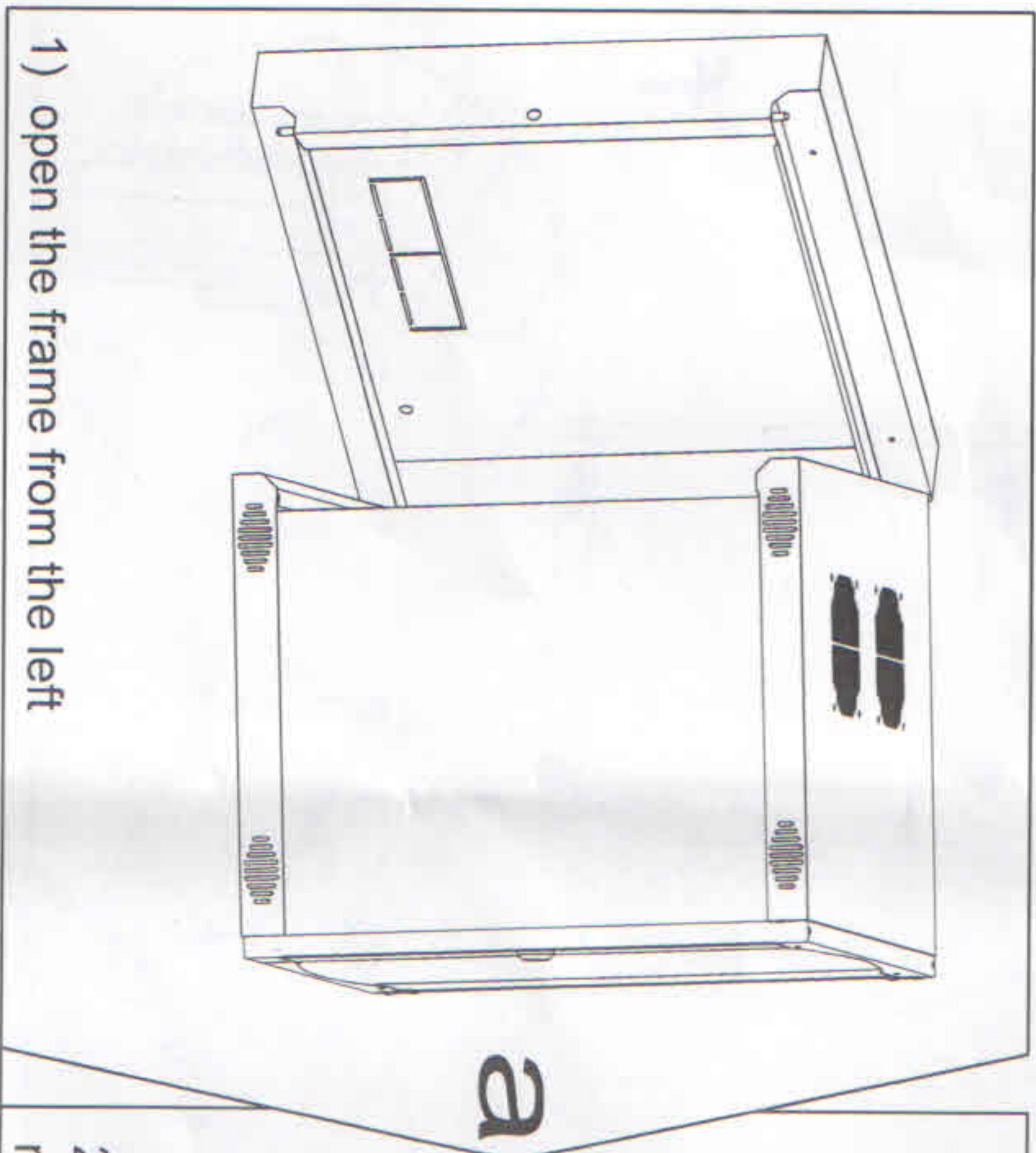
M8 expansive bolt



Earthing installation



Instructions of changing frames' opening directions



1) open the frame from the left

2) Disassemble the chain from the left, reassemble it to the right.

3) open the frame from the right.